

## Adapters

### QFP80

Target CPU package: QFP80  
 Body size: 12 mm x 12 mm  
 Pitch: 0.5 mm  
 POD target layout: 2x SAMTEC - ERF8-040-05.0-L-DV-TR  
 Wire length: 200 mm

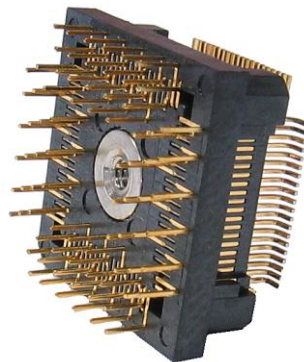
Can be used with:  
 RL78 ActiveGT POD

This adapter is used when RL78 ActiveGT POD emulates the target CPU in the QFP80 package (size 12 mm x 12 mm).

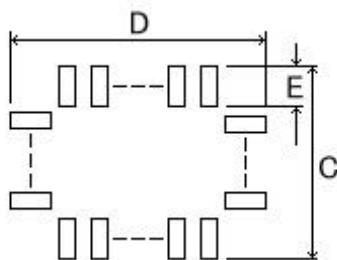
Described adapter parts can be used only with listed PODs. Disregarding this warning may result in hardware failure of the emulation system and the target.

#### ► Required Adapter Parts (by ordering code):

- **IA80ATQ-SOLDER**

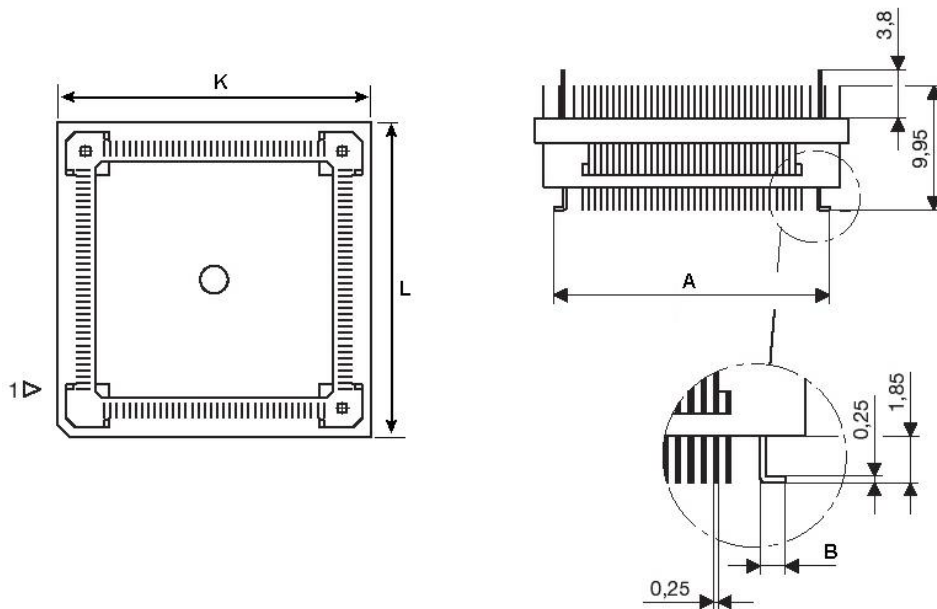


*Solder part, which is soldered down to the target.*



(Unit: mm)						
A	B	C	D	E	K	L
14	1.125	15.0	15.0	2.3	16.0	16.0

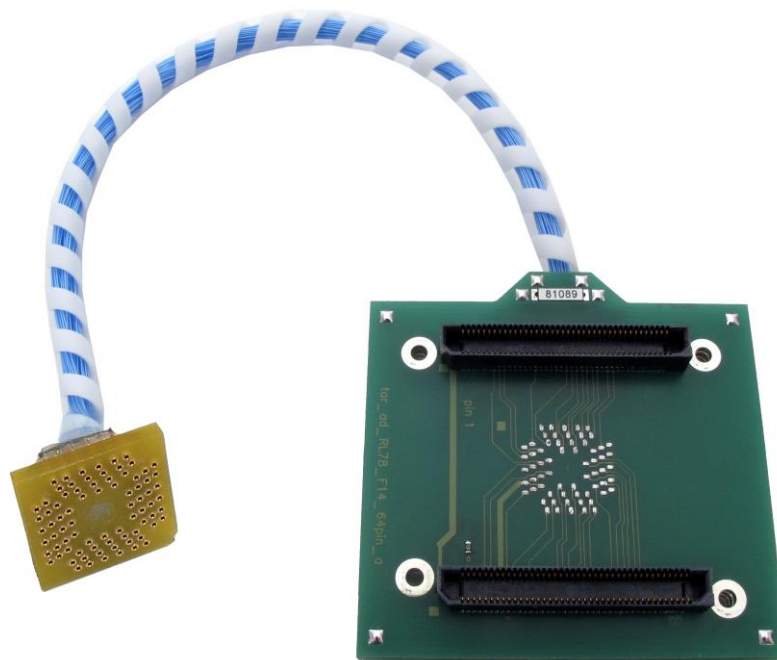
*Recommended (by TET) PCB footprint size*



*IA80ATQ-SOLDER dimensions*

User must be familiar with the SMT (Surface Mount Technology) soldering in order to solder the IA80ATQ-SOLDER to the PCB instead of the original microcontroller. On request, iSYSTEM can provide this service too.

- **IA80RL78F14-WIRE**



*The IA80RL78F14-WIRE represents flexible connection between the POD and the target.*

## ► Assembly

---

While assembling the adapter and connecting the POD to the target, pay attention to pin 1. Improper use of the adapter or even incorrect adapter used with your particular POD can damage the emulation system and the target.

---

1. First, connect the IA80RL78F14-WIRE to the POD.
2. Next, solder down the IA80ATQ-SOLDER to the target PCB
3. Finally, connect the POD to the soldered IA80ATQ-SOLDER via the IA80RL78F14-WIRE

---

Disclaimer: iSYSTEM assumes no responsibility for any errors which may appear in this document, reserves the right to change devices or specifications detailed herein at any time without notice, and does not make any commitment to update the information herein.

© iSYSTEM. All rights reserved.